

AFTERCARE INSTRUCTIONS

Excessive exposure to water will deteriorate the furniture. Wipe away any water splashes or condensation after use.

All bathrooms should be well ventilated. We recommend the installation of a suitable extractor fan.

Clean with a soft damp cloth only.

Use a wax free polish if one must be used.

The basin waste should be regularly cleaned and cleared of any blocks to ensure the longevity of the furniture.

CUSTOMER SERVICE

t: +44(0)208 686 5100

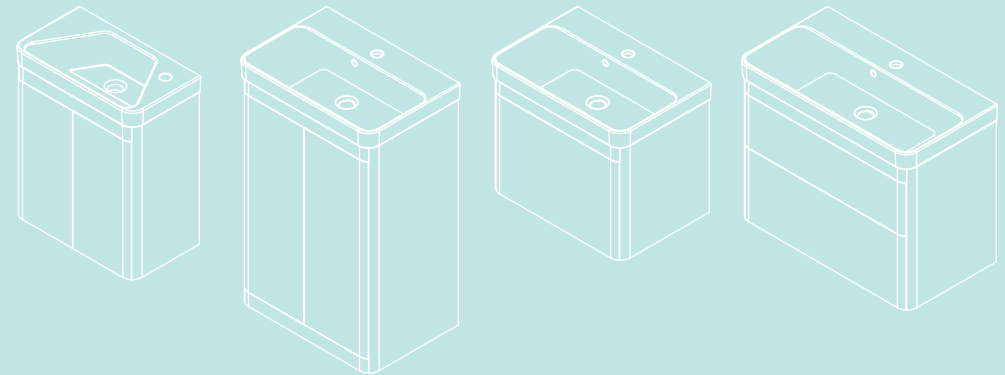
e: technical@saneux.com

Iain Stewart Centre, Beehive
Ring Road, Gatwick, RH6 0PB

www.saneux.com

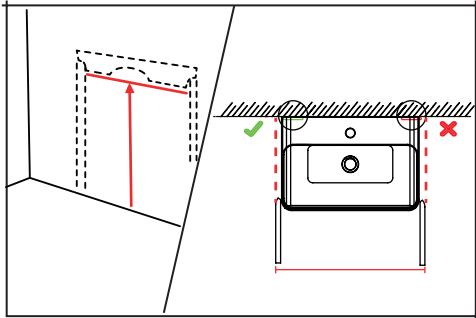
HYDE.2

INSTALLATION INSTRUCTIONS

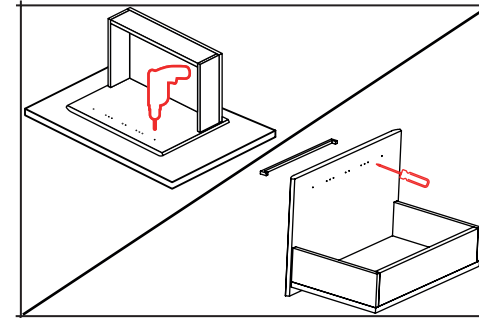


HYDE FURNITURE

saneux

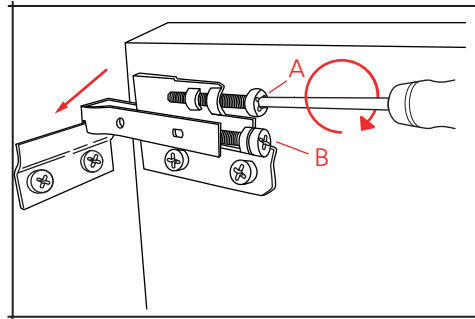


1. Mark the location of both mounting plates, ensuring that they are positioned inside the unit's side panels. **Note the opening width of door units.** Make sure that there are no hidden pipes or cables in the wall. The fixings supplied are for solid walls. For hollow or stud walls use specialist fixings.

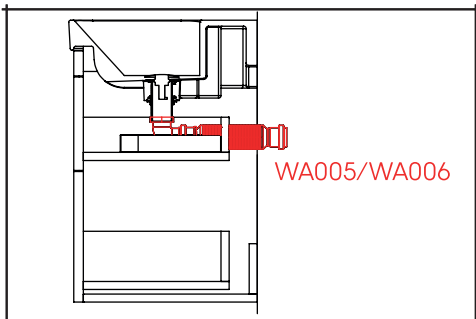
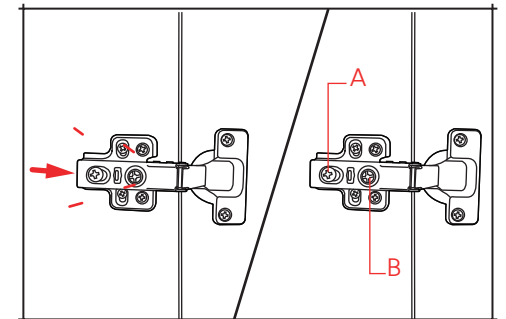


5. To ensure the paint does not come off the front of any panels, place the door (front face down) on a wooden board. Drill the pilot holes for the handle width selected, using an **M3 drill bit**. **Make sure to measure the handle hole width before drilling.** Fit the handles to the unit using a screw driver

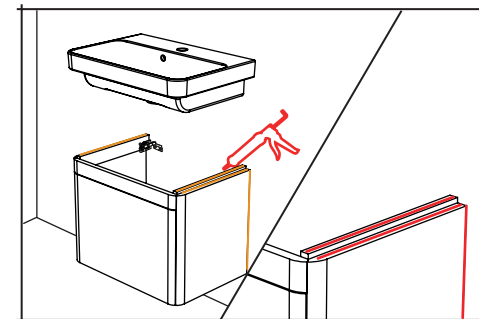
2. Locate the hangers onto the wall mounting plates. Screw A adjusts the height of the unit. Screw B tightens the unit against the wall.



6. For door units, the doors can be removed by pushing the button at the back of each hinge. The position of the doors can be adjusted by the screws on the hinges. **Screw A adjusts the depth.** **Screw B adjusts the width.**



3. Make all plumbing connections and test for any leaks. We recommend the following waste accessories:
WA005 - Low profile waste trap.
530S- Click waste.
WA006 - Super low profile waste trap & click waste.



7. Having finished all plumbing connections, secure the basin to the unit **using a silicone sealant**. Make sure the basin is correctly aligned with the furniture and allow the sealant to dry. **The silicone sealant will help the basin sit level on the furniture and protect the unit from water damage.**

4. To remove the drawer from the unit, fully extend the drawer. On the underneath of either side of the drawer are two plastic clips that can be pushed to release the drawer from the runners.

